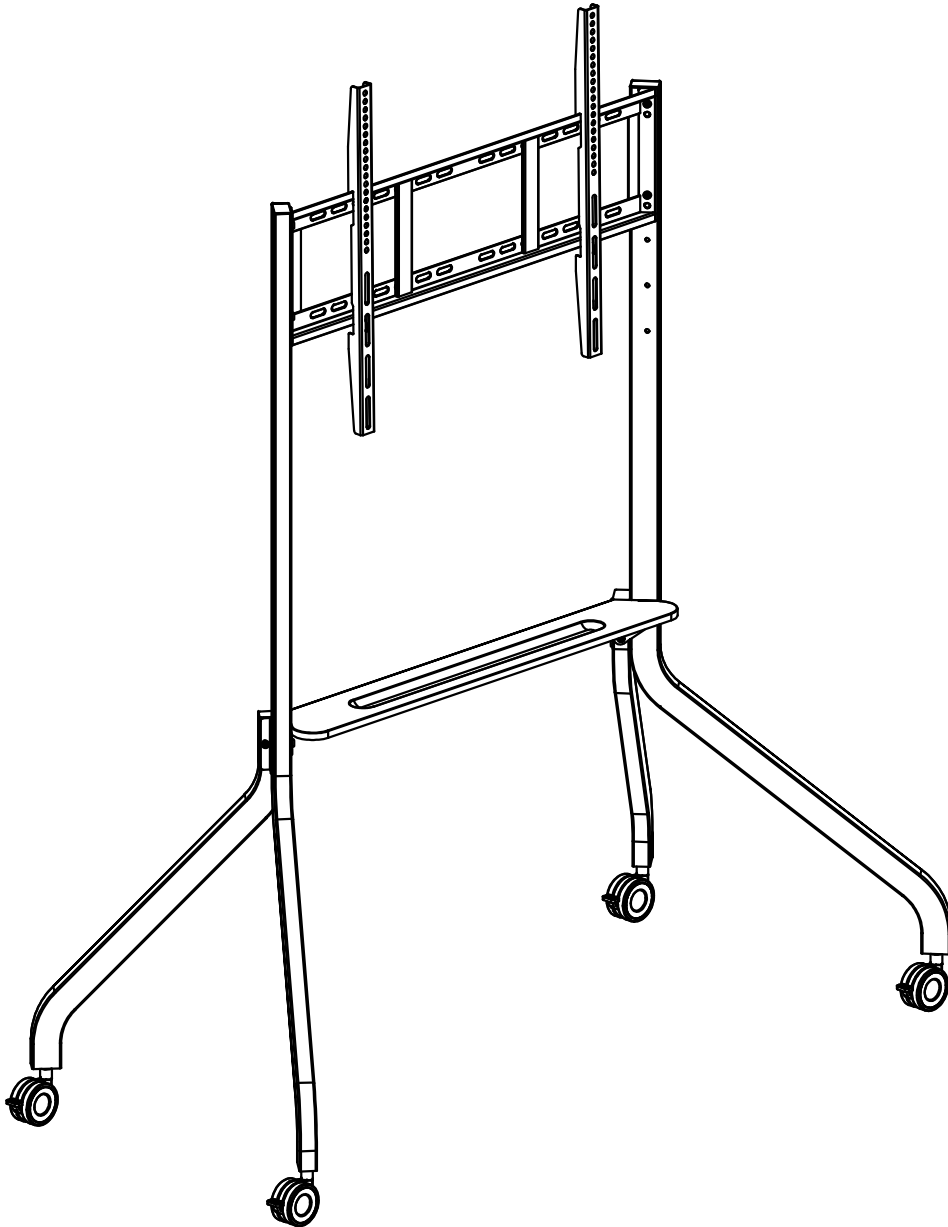


commBOX Elegance Installation Manual

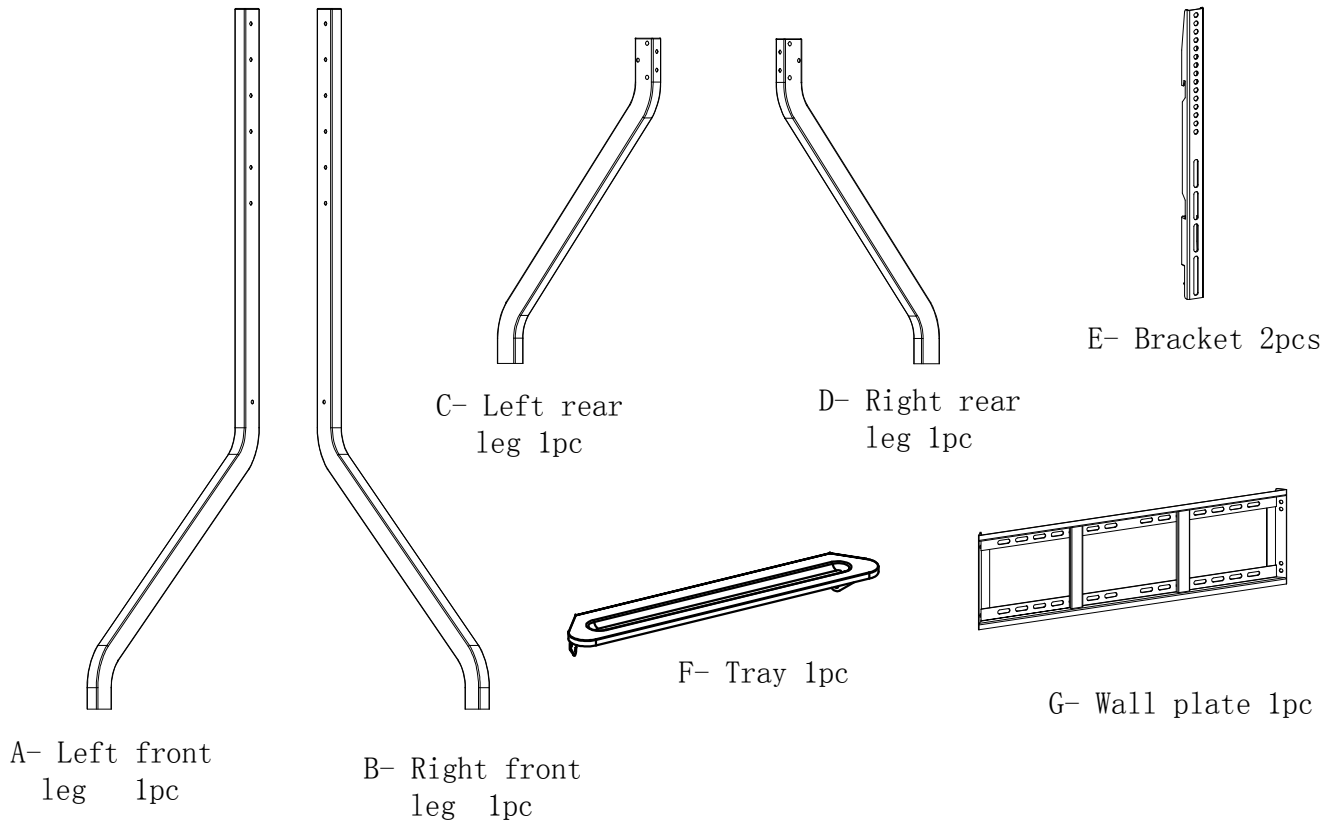


SKU:CBMOBE









Suitable for 55" to 86" Screens

Load capacity 80 Kg




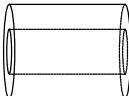



● Parts Identification:



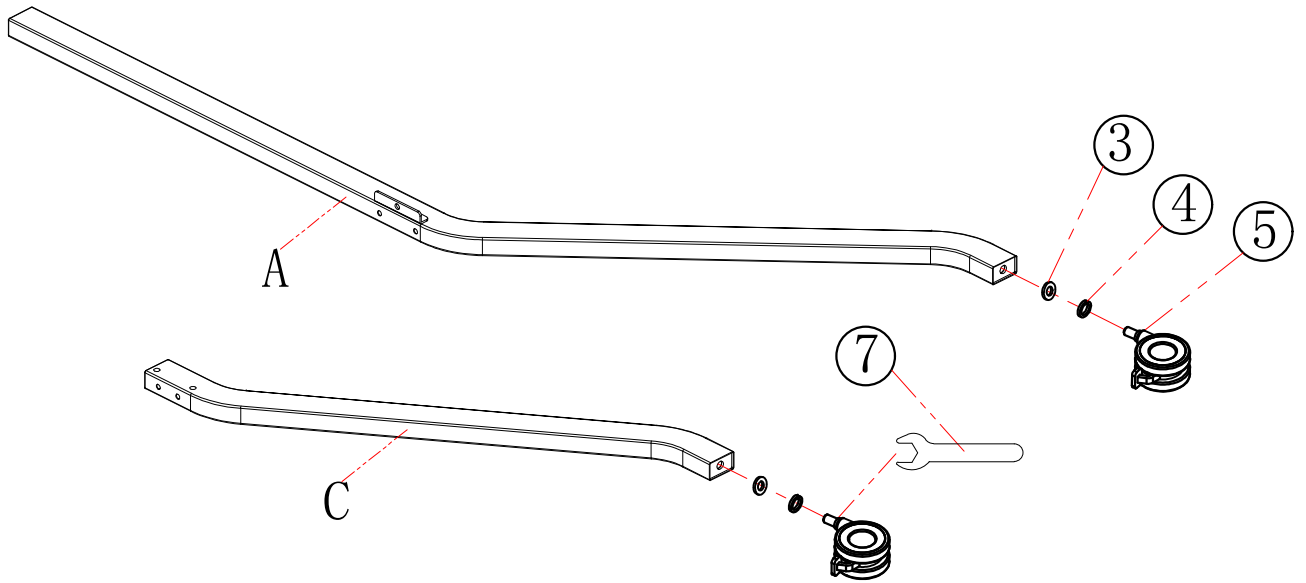
● Hardware Identification

①	Hex bolt	M8*40	4PCS	
②	Hex bolt	M8*16	12PCS	
③	M10 Washer	Ø18*Ø10.5*1.2	4PCS	
④	M10 Spring washer	Ø16*Ø10.5*2.5	4PCS	
⑤	3 inch wheels		4PCS	
⑥	5mm Allen key	5MM*56	1pc	
⑦	Open spanner	14*87	1pc	
⑧	Phillips screwdriver (self-provided)		1pc	

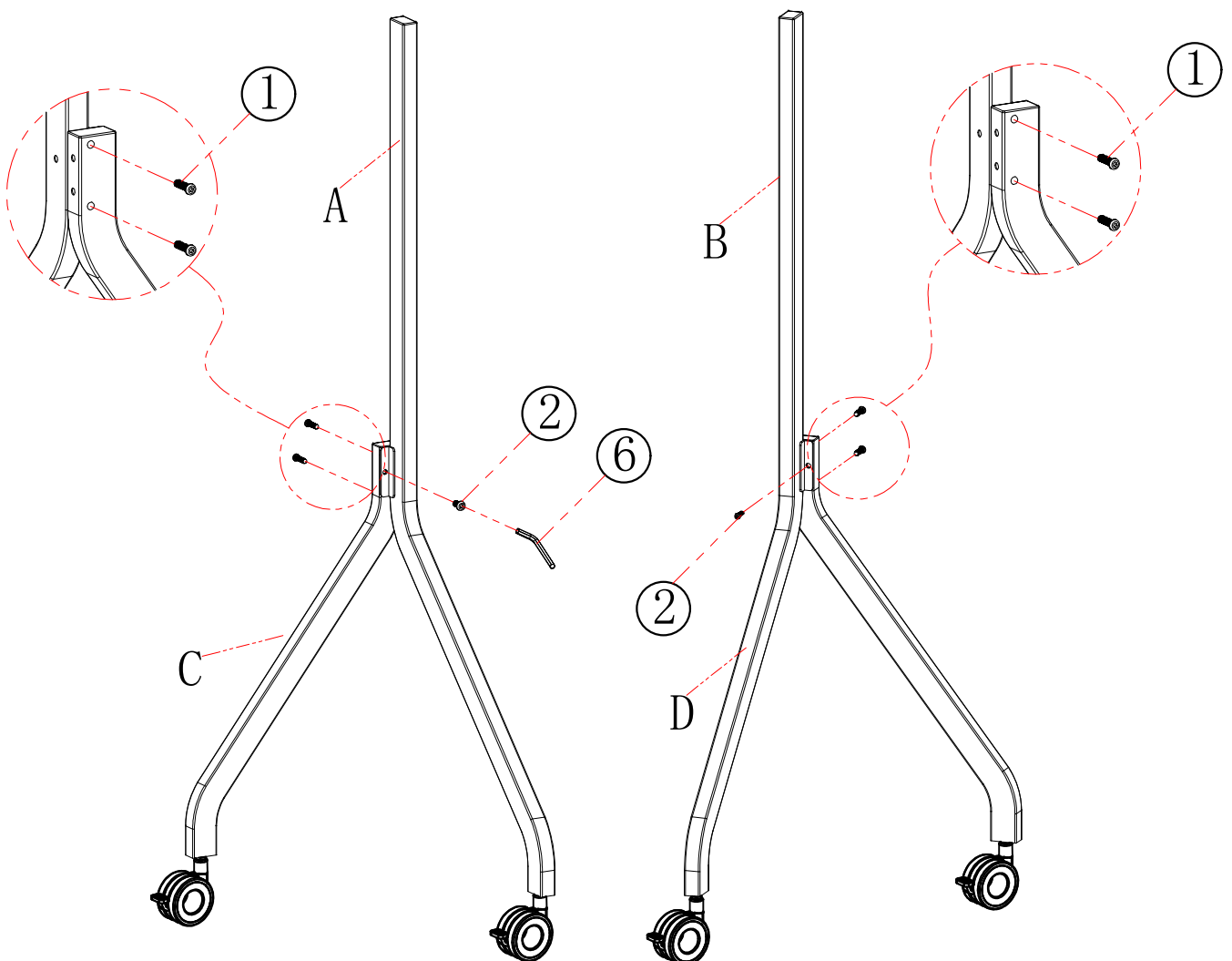
●TV mounting hardware:

						
a--M4x12 screw 4 pcs	b--M6x20 screw 4 pcs	c--M8x25 screw 4 pcs	d--M8 spacer 4 pcs	e--2.5mm spacer 8 pcs	f--M4 washer 4 pcs	g--M6 washer 4 pcs

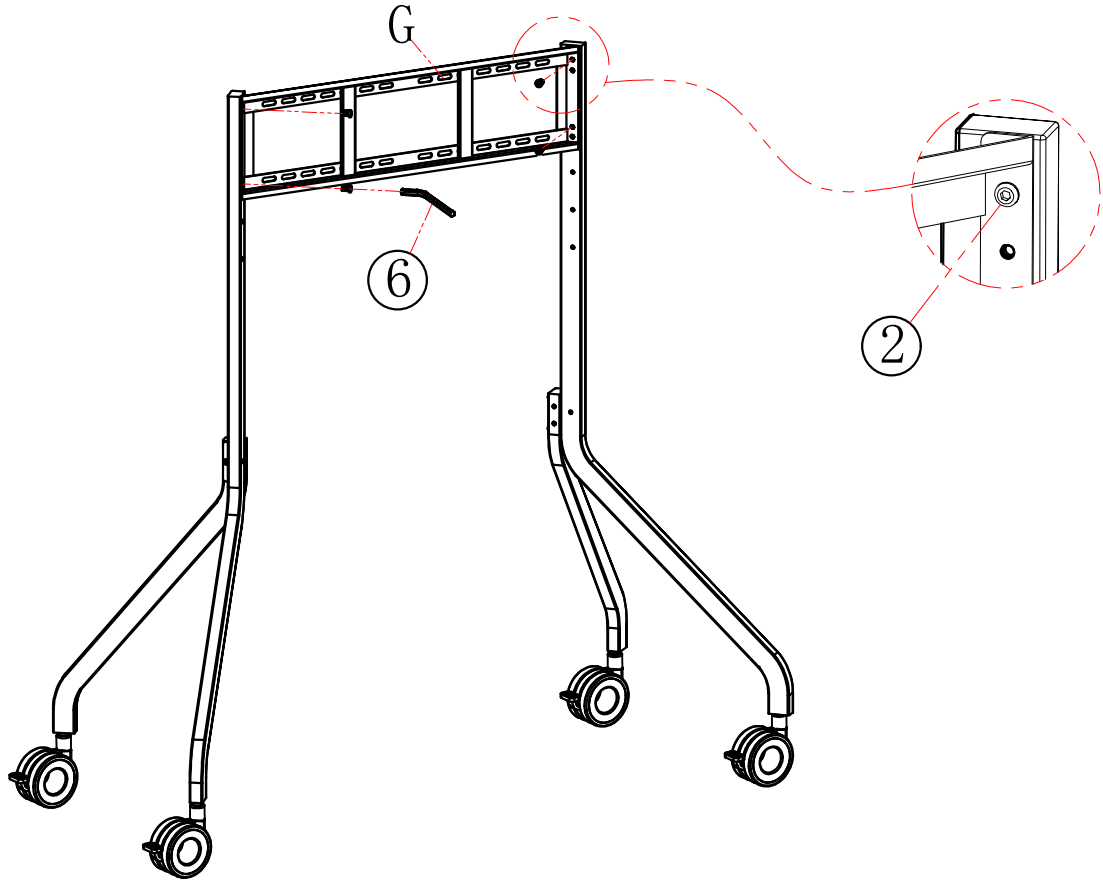
Step 1: Assemble ⑤ wheels to four legs(A, B, C, D)
(as figure below)



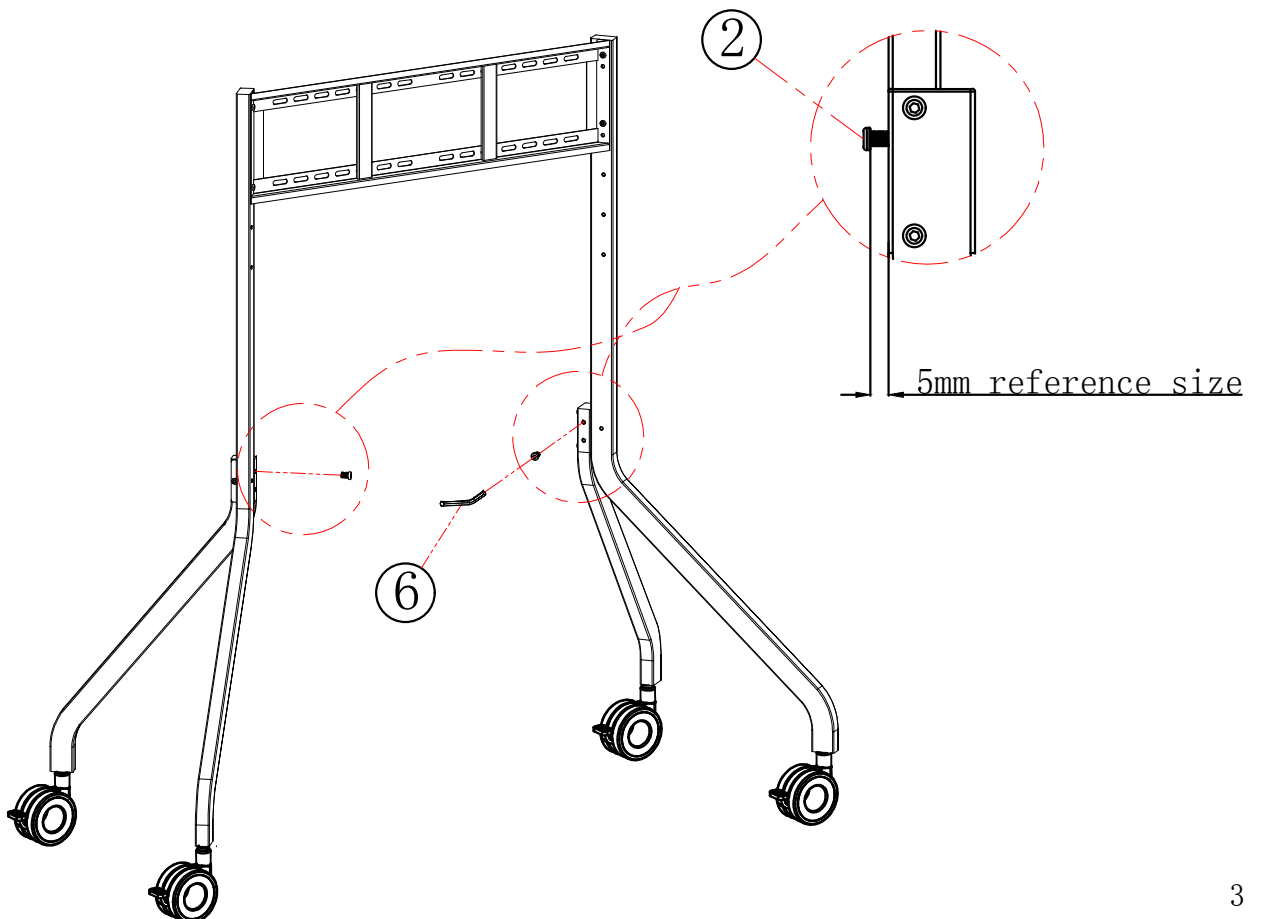
Step 2: Assemble C left rear leg to A left front leg,
and assemble D right rear leg to B right front leg (as figure below)

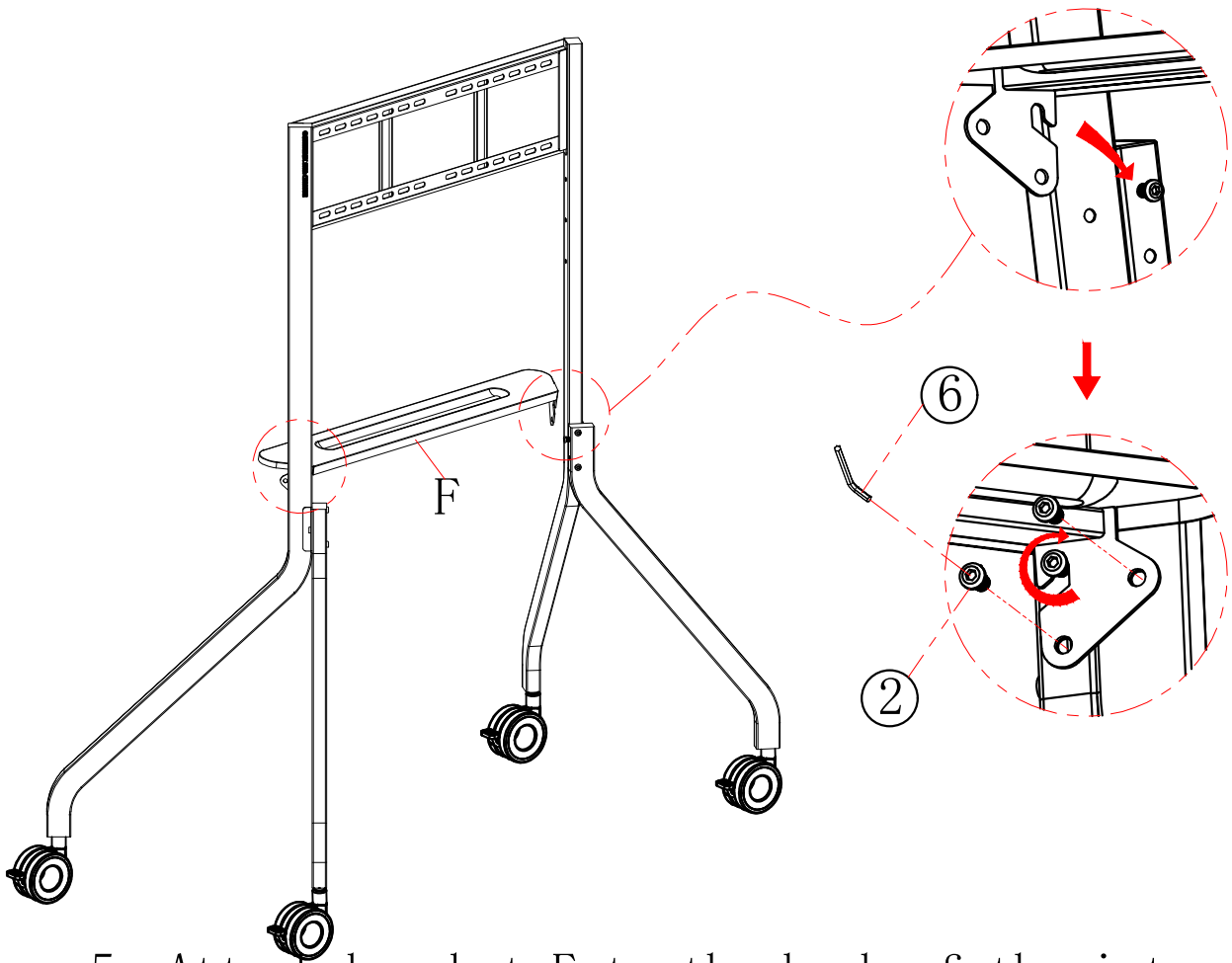


Step 3: Install the wall panel G on upper column A, B
(as figure below)

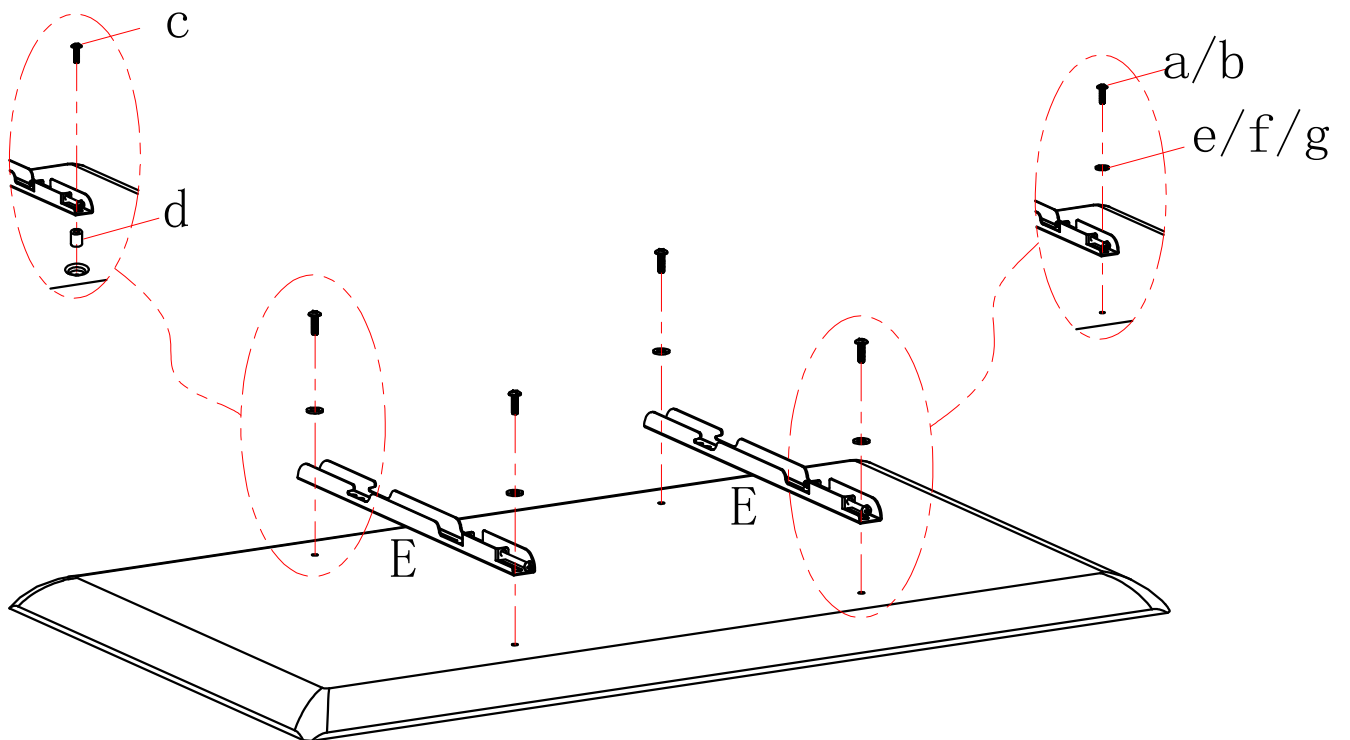


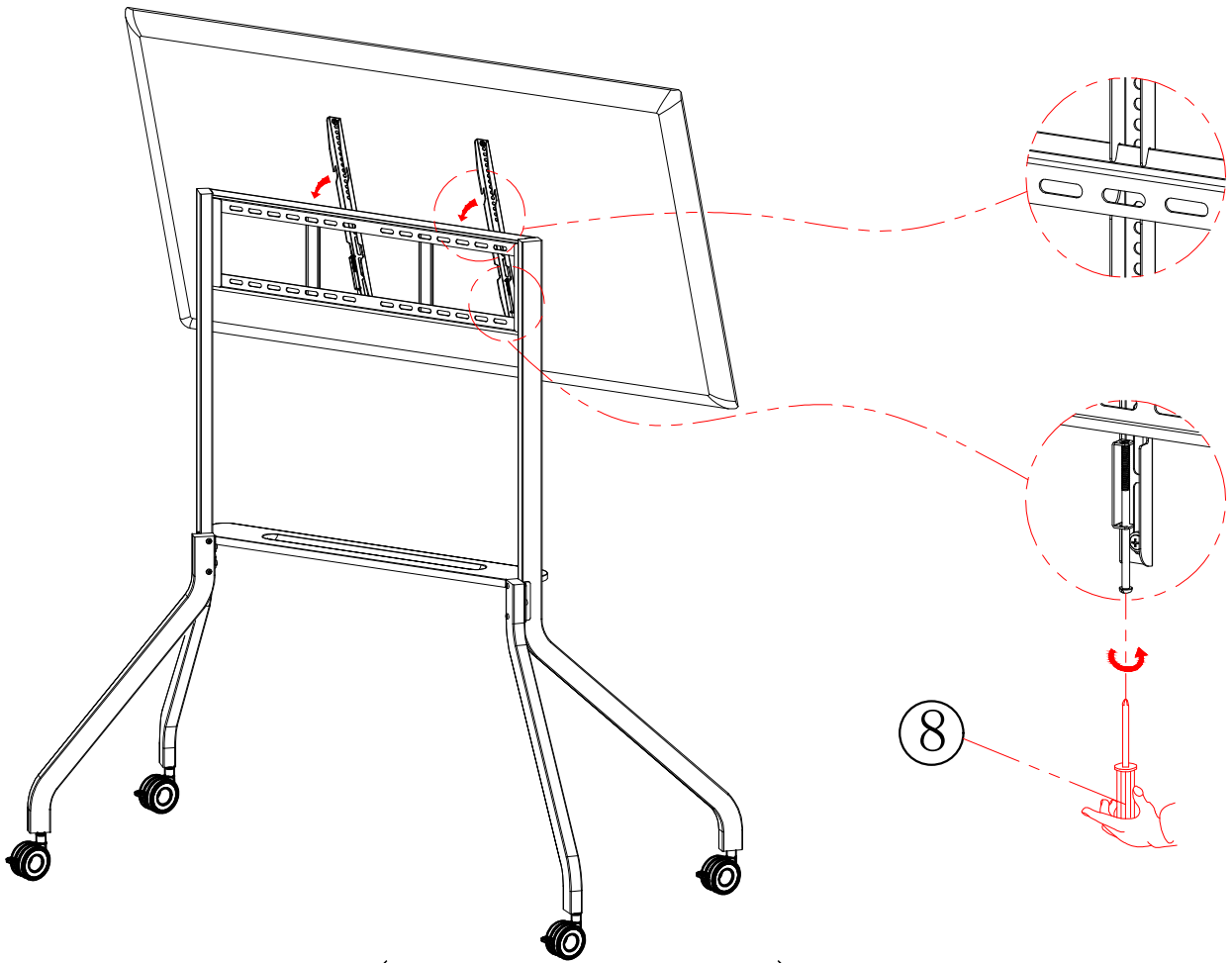
Step 4: Assemble 2pcs suitable bolts to the column C, D, do not lock: Then hang the tray F on the column and lock tightly by 6pcs bolts (As figure below)





Step 5: Attach bracket E to the back of the interactive smart panel with included screws , then hang the panel on the wall panel G, and lock the safet screw. (As figure below)





Step 6: Finished. (as figure below)



Product dimensions:

