

MoCOW

Motorised Stand

USER MANUAL

Warnings & Safety Instructions

Failure to read, understand and follow all instructions can result in serious personal injury, damage to equipment or voiding warranty. It is the installer's responsibility to make sure all components are properly installed using the instructions provided.

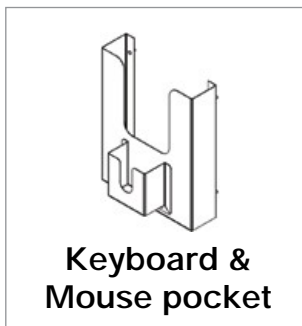
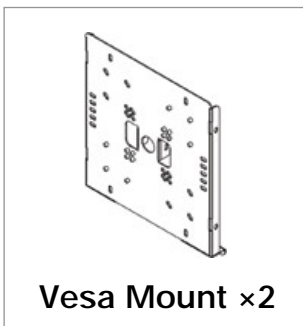
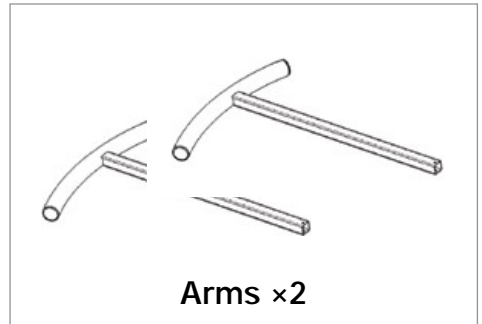
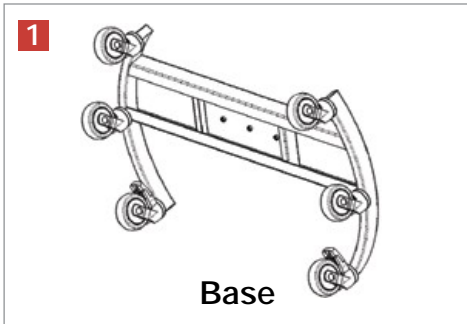
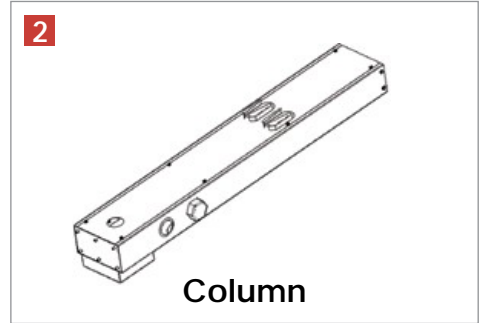
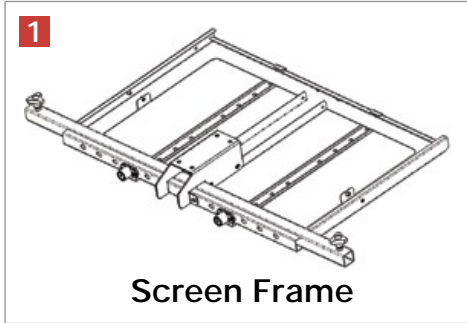
- Installation & assembly work must be carried out by properly licenced **technicians or qualified trades people.**
- Incorrect installation can cause the CBMOCOW-M unit to fall and cause injury. This company assumes no responsibility for injuries or damages that may occur due to improper installation and handling.
- **The unit is designed for use with specific products and weight. Exceeding** maximum weight capacity to the moving frame may damage product and equipment and could lead to serious personal injury.
- Adhering to proper installation instructions is critical in ensuring all **components function properly. A small difference in installation can lead** to a severely skewed and distorted projection image. In order to obtain a square image without the use of digital adjustment of the projector, follow the step by step instructions as shown.
- Installation will require the lifting of heavy components. A minimum of two people are required.
- **Fully tighten all mounting screws as specified in the installation** instructions. However, attachment points can be damaged if a power drill **is used to tighten screws. Screws should be turned by hand first before** tightening with a hex key. Do not over tighten screws. Check fasteners regularly to avoid parts becoming loose.
- Do not allow children to climb onto the frame.
- Make sure cables are not caught between moving parts to ensure cables will not be damaged. Cable tie all loose cables to avoid damage.
- **When the CBMOCOW-M is not in use, switch off the power source.**
- Make sure the fully raised height of the CBMOCOW-M does not exceed the height of the building/room the CBMOCOW-M will be used in.

Package Contents

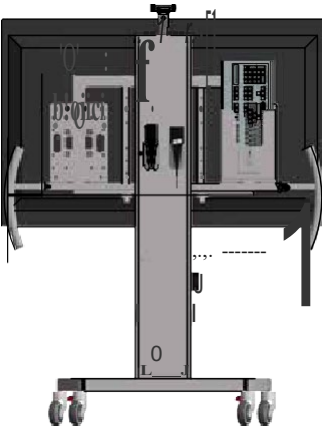
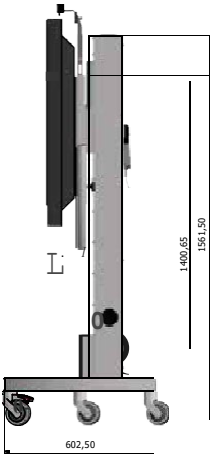
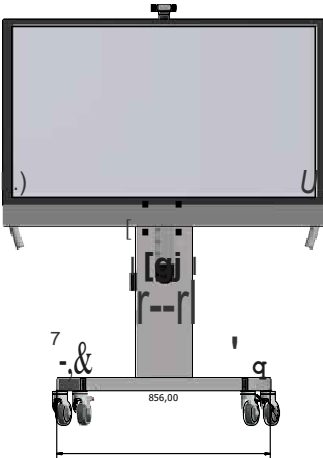
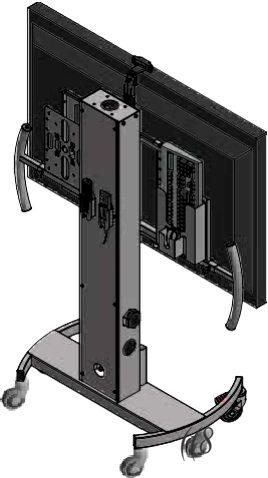
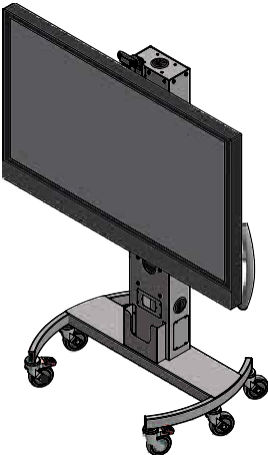
Two Carton

- 1 Carton 1 for the Base, Frame, and Accessories
- 2 Carton 2 for the Column

Base to Column Fixing Kit
Frame to Column Fixing Kit
Accessories Fixing Kit



Specifications



Installation – Attaching the Display

1. To mount the display onto the CBMOCOW-M attach hook arms to the mounting points at the back of the display. The lock of the hook arms should be at the lower side of the displayscreen.



NOTE: Make sure the hook arms are aligned horizontally, or the picture will become skewed.

2. Hook the hook arms on the back of the display onto the frame of the CBMOCOW-M (as shown). Adjust the screen horizontally along the crossbar until it is in the desired position. When the display is in the desired position, push the locks upwards so the pin of the lock engages a slot on the underside of the crossbar.

CAUTION: Due to the weight of the display screen and the height of the mounting crossbars, the lifting of the display should be done by a minimum of two people.

3. To unlock/release the screen, turn the key to release the spring loaded pin in the lock.



Instruction – Raising and Lowering

1. To raise or lower the screen, use the remote mounted on the rear of the CBMOCOW-M.

Note: the switch is tethered to the unit with a cable and can be utilised in front of the screen.

